

Heavy Duty Proximity Sensors Steel Sensing



*Clockwise from Top:
The PRX+4800,
PRX+4400, and PRX+4100*

*Hermetic Switch, Inc.
News Release -*

Hermetic Switch, Inc. announces the introduction of its patented PRX+4000 series of steel proximity sensors. This series provides the market with durable, ready-to-install steel proximity sensors for use in applications where the position of a ferrous metal component or ancillary part must be monitored to ensure operator safety and productivity.

HERMETIC'S PRX+4000 SENSORS ARE IDEAL FOR APPLICATIONS WHERE POSITION SENSING OF FERROUS METAL COMPONENTS IS CRITICAL.

Applications for the heavy duty PRX+4000 sensors include use as safety switches and presence sensors in commercial mowers, agricultural equipment, construction equipment, industrial equipment and manufacturing applications where the position of steel safety levers, mechanical arms, presence platforms, mower-decks, access doors or other steel components must be monitored. These sensors can also be utilized in military and gaming applications, valve positioning/fluid monitoring devices, security systems, material handling, automation, control systems, robotics – and essentially any application which can benefit from the steel sensing capabilities provided by these novel sensors.

These sensors can sense and switch high energy loads because the relay contacts are built in. In use, each sensor responds to the proximity of ferrous material and reports the relative position of specific application elements that require continuous monitoring. This helps to ensure safe and productive operation of the equipment.

Unlike mechanical, lever-arm sensors, the PRX+4000 series is designed to perform in the most demanding environments. Their rugged construction enables these steel sensors to be used effectively with applications that come in contact with dirt, dust, grass, pesticides, gasoline, grease, lubricants, transmission fluid, grime, moisture, rough terrain and vibration. Two of the sensor models in the PRX+4000 series can be mounted directly to ferrous surfaces.

No power is required for these sensors to operate and no physical contact of any kind is required for sensor activation. In fact, the PRX+4000 sensors can detect steel through nonferrous materials such as plastic, wood, brass and non-magnetic stainless steel – a feature which enhances their versatility and utility.

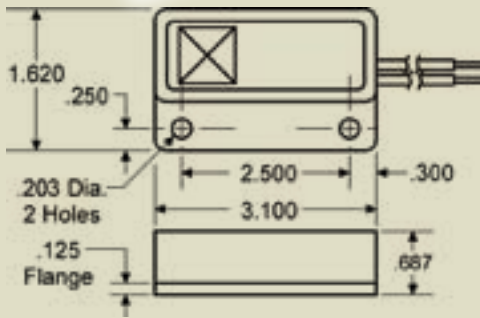
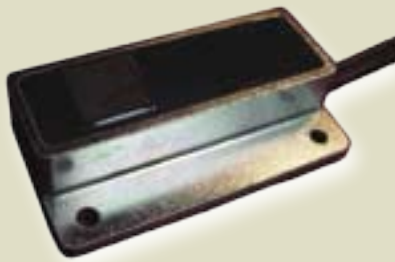
The three models in this patented series are the PRX+4800 (largest and most robust with steel housing), the PRX+4400 (medium size and extremely tough with steel housing) and the PRX+4100 (smallest but very durable with high impact ABS housing).

(See reverse side for product specs)

For more information call 1-405-224-4046 or
visit www.hermeticswitch.com.



**HERMETIC
SWITCH, INC.**
Switching and Sensing Solutions

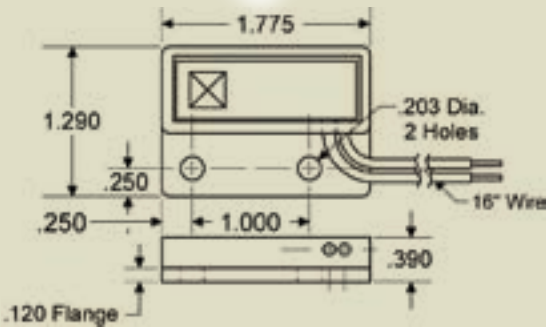


PRX+4800 *Patented*

The PRX+4800 is our largest and most robust steel sensing proximity sensor. It features a steel housing that is virtually impervious to temperature extremes, dirt, dust and grime.

Specifications

Contact Arrangement:	SPST Form A (B & C Available)
Switching Ratings:	Voltage: 120 Volts DC/AC Max
	Current: 3 Amps DC/AC Max
	Power: 200 Watts DC/AC Max
Must Operate Distance:	0.400 in typical
Must Release Distance:	0.675 in typical
Operating Temp. Range:	-40°C to +100°C
Wire Gauge:	16 AWG

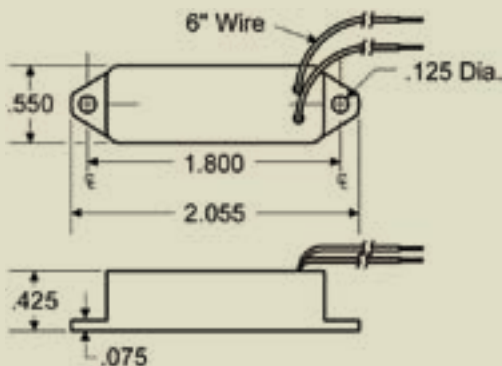


PRX+4400 *Patented*

The PRX+4400 is our medium size, extremely tough steel sensing proximity sensor. It features a steel housing that is virtually impervious to temperature extremes, dirt, dust and grime.

Specifications

Contact Arrangement:	SPST Form A (B & C Available)
Switching Ratings:	Voltage: 120 Volts DC/AC Max
	Current: .25 Amps DC/AC Max
	Power: 10 Watts DC/AC Max
Must Operate Distance:	0.190 in typical
Must Release Distance:	0.400 in typical
Operating Temp. Range:	-40°C to +100°C
Wire Gauge:	16 AWG



PRX+4100 *Patented*

The PRX+4100 is our smallest yet extremely durable steel sensing proximity sensor. It features a tough, high impact black ABS housing that's highly resistant to temperature extremes, dirt, dust and grime.

Specifications

Contact Arrangement:	SPST Form A (B & C Available)
Switching Ratings:	Voltage: 120 Volts DC/AC Max
	Current: .25 Amps DC/AC Max
	Power: 10 Watts DC/AC Max
Must Operate Distance:	0.250 in typical
Must Release Distance:	0.310 in typical
Operating Temp. Range:	-40°C to +100°C
Wire Gauge:	20 AWG